

Smart Valve Positioner 700 Series with FOUNDATION fieldbus

Model AVP703

OVERVIEW

The model AVP703 is a FOUNDATION fieldbus equipped smart valve positioner.

The model AVP703 controls and manages the valve through Fieldbus.

It is equipped with a pressure sensor, along with PID, DI, and various other function blocks, which contribute to realizing better diagnosis of control valves, together with safer and more stable plant operation. The positioner's local user interface (LUI) makes setup and adjustment easier, resulting in more effective maintenance.

FEATURES

1. Improved valve diagnosis

Because the pressure sensor measures positioner output air pressure, the following valve diagnostic functions have been improved.

- Detection of abnormalities associated with valve closing, the actuator, and friction.
- Valve Signature (based on the relationship between the valve travel and pressure of the actuator)
- Positioner air circuit diagnosis

2. Easy adjustment and setup

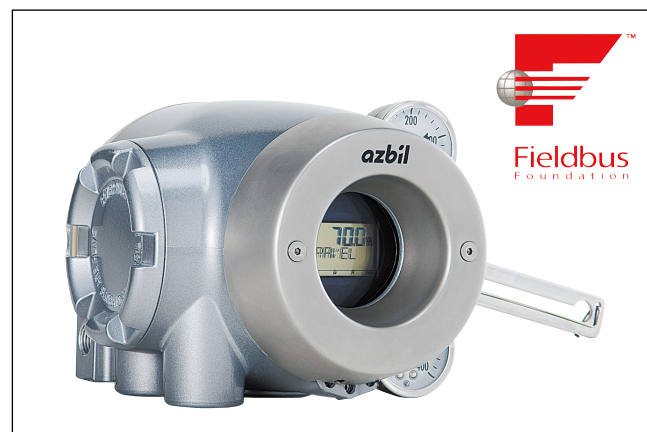
The following can be easily adjusted or set up using the local user interface (LUI), which consists of an LCD and operation buttons. Since the operation buttons are isolated from the positioner, the positioner can be used in an explosive atmosphere.

- Auto-setup (auto-adjustment)
- Zero/span adjustment
- Supply bypass switching
- Control parameter configuration

3. Single model for multiple specifications

The model AVP703 settings can be changed without any replacement of changing of parts. A single model can be modified to suit any application without any parts change.

- Flow characteristic: Linear, EQ%, Quick opening or user customized characteristics
- Actuator type: Double or single acting actuator



4. Easy maintenance

Because the electric circuits are completely separated from the pneumatic circuit, maintenance work on the pneumatic circuit at the work site is easy.

In addition, the pilot component has an auto/manual switch. Thus, even if there is no electrical signal, a valve operation check can be conducted. (However, in the case of a double-acting actuator, the switch cannot be used.)

5. Fieldbus Functions

- Transducer Block
Positioner Transducer Block (FF-906 compliant)
- Link master function
This device supports Link Active Schedule function for control of fieldbus communication. However, when the product is used with an ABB system, the link master function cannot be used. In that case use the product as a BASIC device.
- Alarm function
Alarm functions specified by FOUNDATION fieldbus specifications are supported, such as various high or low alarms, block alarm notices, etc. Alarms are output in compliance with NAMUR NE107.

LIST OF FEATURES

Item	Function
Forced fully open/closed	The control valve can be fully closed or opened securely when the desired percentage of input signal is reached.
Desired flow characteristics	The relationship between input signal and valve travel that is appropriate for the process can be defined by using a 21-point line graph.

FUNCTIONAL SPECIFICATIONS

Item	Function	
Applicable actuator	Pneumatic single and double acting, linear and rotary motion actuator	
Communication protocol	Foundation fieldbus	
Lightning protection	Peak value of voltage surge: 12 kV Peak value of current surge: 1000 A	
Flow characteristics	Linear, Equal percentage, Quick opening Custom user characteristics (21 points)	
Manual operation	Auto/Manual external switch or LUI (Local User Interface) (Not available double acting actuator)	
Supply air pressure	140 to 700 kPa	
Air consumption	for single acting actuator 3.2 L/min [N] or less: with steady supply air pressure of 140 kPa {1.4 kgf/cm ² } and output of 50 % 4.0 L/min [N] or less: with steady supply air pressure of 280 kPa {2.8 kgf/cm ² } and output of 50 % 4.8 L/min [N] or less: with steady supply air pressure of 500 kPa {5.0 kgf/cm ² } and output of 50 % for double acting actuator 8 L/min (N) or less: at air pressure of 400 kPa {4.0 kgf/cm ² } and balanced output pressures at a steady 70 % of the supply air pressure	
Maximum air deliver flowrate	110 L/min (N) at 140 kPa {1.4 kgf/cm ² }	
Air connections	Rc1/4, 1/4NPT	
Electrical connections	G1/2, 1/2NPT, M20×1.5	
Ambient temperature limits	-40 to +80 °C for general model TIIS Flameproof: -20 to +55 °C FM / FMC / IECEx / CCC / KCs / CNS Explosion protection: -30 to +75 °C FM Intrinsically safe (ic) and Nonincendive: -24 to +75 °C ATEX / IECEx / CCC / CNS Intrinsically safe / Dust Ignition Protection: -40 to +60 °C LCD operating limit: 0 to +50 °C	
Ambient humidity limits	5 to 100 %RH	
Vibration characteristics	20 m/s ² , 5 to 400 Hz (with standard mounting kit on Azbil Corporation's HA actuator)	
Color	Silver	
Material	Cast aluminum	
Weight	Without Pressure regulator with filter: 4.2 kg With Pressure regulator with filter model RA1B: 4.7 kg With Pressure regulator with filter model KZ03: 4.9 kg	
Performance	Accuracy	±1.0 %FS. But: ±3.0 % FS if the feedback lever angle is outside the ±4° to ±20° range (see Table 1)
	Stroke coverage	14.3 to 100 mm Stroke (Feedback Lever Angle ±4° to ±20°)
Structure	TIIS Flameproof Ex d IIC T6 X FM Explosionproof / Dust Ignition Protection Explosionproof (Division system): Class I, Division 1, Group B, C, D T6 <ul style="list-style-type: none"> • Factory sealed, conduit seal not required • Not including gasoline atmospheres Flameproof (Zone system): Class I, Zone 1, AEx d IIC T6 Gb Dust ignition protection (Division system): Class II, III, Division 1, Group E, F, G T6 Dust ignition protection (Zone system): Zone 21 AEx tb IIIC T85 °C Db Enclosure classification: IP66 FM Intrinsically safe (ic) and Nonincendive Intrinsically safe (ic) (Zone system) Class I, Zone 2, AEx ic IIC T4 FISCO & Entity Parameters: Ui=32 V, Ci=4 nF, Li=0 Nonincendive (Division system) Class I, Division 2, Group A, B, C and D, T4 Nonincendive Field Wiring & FNICO Parameters: Vmax=32 V, Ci=4 nF, Li=0 Suitable Class II and Class III, Division 2, Group E, F and G, T4 Indoor/Outdoor Enclosure: NEMA Type 4X, IP66	

Item	Function
Structure	<p>FMC Explosionproof / Dust Ignition Protection</p> <p>Explosionproof (Division system): Class I, Division 1, Group C, D T6</p> <ul style="list-style-type: none"> • Factory sealed, conduit seal not required • Not including gasoline atmospheres <p>Flameproof (Zone system): Class I, Zone 1, Ex d IIB T6</p> <ul style="list-style-type: none"> • Seal all conduits within 450 mm (18 inches) <p>Dust ignition protection (Division system): Class II, III, Division 1, Group E, F, G T6</p> <p>Enclosure classification: IP66</p> <ul style="list-style-type: none"> • The wiring conduit cable gland and electrical wiring must be compliant with the National Electrical Code (NEC). <p>ATEX Intrinsically safe / Dust Ignition Protection</p> <p>FISCO Field Device</p> <p>Intrinsically safe: II 1 G Ex ia IIC T4 Ga</p> <p>Dust Ignition Protection: II 1 D Ex ia IIIC T135 °C Da</p> <p>Enclosure classification: IP66</p> <p>The FISCO power supply and the barriers should be ATEX certified types and comply with the following conditions.</p> <p>Fieldbus terminals (+/- FB): $U_i=17.5$ V, $I_i=380$ mA, $P_i=5.32$ W, $C_i=2$ nF, $L_i=0$</p> <p>IECEX Flameproof / Dust Ignition Protection</p> <p>Flameproof: Ex d IIC T6 Gb</p> <p>Enclosure classification: Ex tb IIIC T85 °C Db</p> <p>Enclosure classification: IP66</p> <p>Please use IECEX Ex d IIC-approved products as the cable gland for connecting it to the electrical connection port.</p> <p>However, please use IP66-approved products when using it in an environment that requires IP66.</p> <p>IECEX Intrinsically safe / Dust Ignition Protection</p> <p>FISCO Field Device</p> <p>Intrinsically safe: Ex ia IIC T4 Ga</p> <p>Dust Ignition Protection: Ex ia IIIC T135 °C Da</p> <p>Enclosure classification: IP66</p> <p>The FISCO power supply and the barriers should be IECEX certified types and comply with the following conditions.</p> <p>Fieldbus terminals (+/- FB): $U_i=17.5$ V, $I_i=380$ mA, $P_i=5.32$ W, $C_i=2$ nF, $L_i=0$</p> <p>CCC Flameproof / Dust Ignition Protection</p> <p>Flameproof: Ex db IIC T6 Gb -30 °C $\leq T_{amb} \leq +75$ °C IP66</p> <p>Dust ignition protection: Ex tb IIIC T85 °C Db</p> <p>Enclosure classification: IP66</p> <p>For the cable gland connected to the electrical connection port, use products with CCC Ex db IIC or Ex tD A21 explosion-proof certification.</p> <p>Please use IP66-approved products in an environment that requires IP66.</p> <p>CCC Intrinsically safe / Dust Ignition Protection</p> <p>FISCO Field Device</p> <p>Intrinsically safe: Ex ia IIC T4 Ga</p> <p>Dust ignition protection: Ex ia IIIC T₂₀₀ 135 °C Da</p> <p>Enclosure classification: IP66</p> <p>The FISCO power supply and the barriers should be CCC-certified and comply with the following conditions.</p> <p>Fieldbus terminals (+/-FB): $U_i=17.5$ V, $I_i=380$ mA, $P_i=5.32$ W, $C_i=2$ nF, $L_i=0$</p> <p>KCs Flameproof</p> <p>Ex d IIC T6</p> <p>Please use KCs Ex d IIC-approved products as the cable gland to be connected to the electrical connection port.</p> <p>CNS Flameproof</p> <p>Flameproof: Ex d IIC T6 Gb</p> <p>Enclosure classification: IP66</p> <p>For the cable gland connected to the electrical connection port, use products with CNS Ex d IIC explosion-proof certification. Use IP66-approved products in an environment that requires IP66.</p>

Item	Function
Structure	CNS Intrinsically safe / Dust Ignition Protection FISCO Field Device Intrinsically safe: Ex ia IIC T4 Ga Dust ignition protection: Ex ia IIIC T135 °C Da Enclosure classification: IP66 The FISCO power supply and the barriers should be CNS-certified and comply with the following conditions. Fieldbus terminals (+/-FB): Ui=17.5 V, Ii=380 mA, Pi=5.32 W, Ci=2 nF, Li=0
CE conformity	Electromagnetic compatibility EN61326-1: 2013 (CE Marking) The device is intended for use in industrial locations defined in CE marking directive (EN 61326-1).

Note: Depending on the inner diameter and length of the air pipe, automatic setup might not be sufficient to realize the optimum operation. In such a case, please specify the relevant parameters.

Conditions of supply air (JIS C1805-1 (2001))

Item	Function
Particles	Maximum diameter 3 μm
Oil mist	Less than 1 ppm at mass
Humidity of the air supply	The dew point should be at least 10 °C lower than the temperature of this device.

To meet the above specifications for instrument air, install the air purification devices listed below properly in the specified installation location.

Examples of air purification devices

Installation	Air purification device	SMC corporation	CKD corporation
Compressor outlet or main line	Line filter	AFF series	AF series
	Mist separator	AM series	
Terminal device	Mist separator	AM150 or AM250 series	M3000S type

Table 1. Standard travel range and accuracy

Actuator	Travel [mm]	Accuracy [%FS]
PSA1, 2	14.3, 20, 25	1.0
PSA3, 4	20, 38	1.0
HA1	6, 8, 10	3.0
	14.3, 25	1.0
HA2	10	3.0
	14.3, 25, 38	1.0
HA3	14.3	3.0
	25, 38, 50	1.0
HA4	14.3	3.0
	25, 38, 50, 75	1.0
VA5	25, 37.5, 50, 75, 100	1.0
VA6	14.3	3.0
PSA6, 7	25, 37.5, 50, 75, 100	1.0
HK1	10	3.0
PSK1	19	1.0
DAP560, 1000 1000X	14.3	3.0
	25~100	1.0
DAP1500, 1500X	14.3, 25	3.0
	38~100	1.0

FIELDBUS SPECIFICATIONS

RELATED SPECIFICATIONS

Function Blocks

Block name	Number	Period of execution [ms]
AO (Analog Output)	1	30
DI (Discrete Input)	2	30
AR (Arithmetic)	1	30
PID	2	45
OS (Output Splitter)	1	30
IS (Input Selector)	1	30

Item	Function
Supply voltage	9 to 32 V except for intrinsically safe / 9 to 17.5 V for intrinsically safe
Maximum current	20 mA
Registration	Interoperability test ITK 6.1 approved

VCR STRUCTURE

VCR No.	Configuration
1	QUB (Server) for NMIB / SNIB
2 to 32	Fully configurable

NETWORK PARAMETERS

The following table shows the key parameter values that affect interoperability of the Fieldbus devices. The LAS needs to be configured to satisfy these parameters. If other devices on the same Fieldbus network require a greater number for them, the greater number must be used. This will degrade network performance, though.

Symbol	Parameter	Factory setting	Range of value
V (ST)	Slot Time ^{*1}	5	5 to 100
V (MID)	Minimum Inter PDU Delay ^{*1}	10	10 to (V(MRD)-1)×V(ST), smaller than 120 inclusive.
V (MRD)	Maximum Response Delay ^{*2}	4	V(MRD)×V(ST) shall be greater than 20 and V(MRD) shall be smaller than 11, inclusive.
T1	SM Step Tuner	48000 (15 seconds)	-
T2	SM Set Address Sequence Timer	2880000 (90 seconds)	T2 > T3
T3	SM Set Address Wait Timer	1440000 (45 seconds)	T2 > T3
V (FUN)	First Unpolled Node	0x25	0x14 to 0xF7
V (NUN)	Number of consecutive Unpolled-Node	0xBA	0x00 to 0xE4
V (MSO)	Maximum Scheduling Overhead ^{*1}	0x00	0x00 to 0x3F
V (DMDT)	Default Minimum Token Delegation time ^{*1}	0x56	0x20 to 0x7FFF
V (DTHT)	Default Token Holding Time ^{*1}	0x0400	0x0114 to 0xFDE8 (65,000)
V (TTRT)	Target Token Rotation Time ^{*1}	4096	1 to 60000ms
V (LTHT)	Link Maintenance Token Holding Time ^{*1}	0x0124	0x0124 to 0xFDE8 (65,000)
V (TDP)	Time Distribution Period	5000	5 to 55000 ms
V (MICD)	Maximum Inactivity to Claim LAS Delay ^{*1}	2000	1 to 4095
V (LDDP)	LAS Database Distribution Period	3000	100 to 55000 ms

Note 1. A LAS requires parameters other than those listed here to operate. Please refer to the user's manual that comes with our LAS device.



2. The T3 needs to be set between 15 seconds and 60 seconds.

*1. The unit is octet time (256 s). Octet time is the time required to handle 8 bits of data on the Fieldbus Network.




*2. The unit is slot-time.

SAFETY PRECAUTIONS





The purpose of the safety precautions listed here is to ensure the user uses the product safely and correctly, to prevent harm to the user and other people and damage to property. Make sure to obey the safety precautions. Many different symbols are used in this manual. Their appearances and meanings are as described below. Thoroughly understand the explanation before starting to read the main text.









	WARNING	Wrong handling may cause the death or severe injury of the user.
	CAUTION	Wrong handling may cause a minor injury to the user or damage to equipment.






Sample symbols

	• This symbol indicates “warnings” and “cautions” that you must pay attention to when handling the device.
	• This symbol indicates “prohibited” actions that must not be taken.
	• This symbol indicates “instructions” for the action that must be taken.





Precautions for safe work

 WARNING	
	• Do not perform wiring with wet hands or while the device is energized. This may lead to electric shock. Turn the power off before starting the work and work with dry hands or use gloves.
	• Follow the work procedure defined in the explosion protection guidelines when performing the power distribution work in an explosion-proof area.
	• For devices equipped with the pressure-resistant, explosion-proof specifications, do not open the cover during operation (while the power is on).

 CAUTION	
	• Do not get on the installed device or use it as a step stool. This is dangerous because the device may tip over.
	• Do not touch the device during operation without reason. This is dangerous because the surface may be hot or cold depending on the usage environment.
	• Be careful not to touch the edge of the cover or the screw threads of the main unit when opening the cover of the terminal box. You may be injured by these parts.
	• Use a DC power supply with overload protection. Overload may cause smoke or fire.
	• If a tool or other item touches the glass part of the display, it may break, leading to an injury. Be careful. Wear safety glasses during work.
	• This product is heavy. Be careful where you step and wear safety shoes during work.
	• Do not touch the feedback lever or other moving part while the device is operating. You may be injured by getting your hand or other body part caught in them.

 CAUTION	
	• Properly use the power supply based on the specifications. Inputting a different power supply may damage the device.
	• Use gloves and other protective equipment during work in a hot, cold, or other severe environment.
	• Do not move the device close to a magnet or magnetic driver. The control valve may operate.
	• Apply the correct supply air pressure in accordance with the specification of the device. The overpressure may cause abnormal actions of the control valve or damage to the pressure gauge.

Precautions for installation

 CAUTION	
	• Be careful not to get injured by sharp parts such as the edge of the main unit or actuator or screw threads during mounting.
	• The type of mounting plate, mounting method, and mounting procedure differ depending on the actuator model to be mounted in the device.
	• If the device is not properly mounted, not only will the device not be able to operate at its true performance but it may be damaged or fail. Pay attention to the following points. <ul style="list-style-type: none"> • The mounting plate and its accessories differ depending on the specifications (actuator model). Be sure to use the appropriate mounting plate and accessories for the actuator to be mounted. • When installing the control valve, ensure as much surrounding space as possible and put the device in the correct orientation taking maintainability (such as piping, wiring, and adjustment) into consideration. • Deliver the device to the installation location in the packaged state if possible. • Do not apply excessive force to the feedback lever during mounting. • Do not bend the feedback pin. • Securely tighten bolts.

MODEL SELECTION

Basic model number

AVP703	FOUNDATION fieldbus	(1)	(2)	(3)	(4)	(5)	(6)	(7)	(8)	(9)	
(1) Structure	Water-proof	X									
	TIIS Flameproof (Electrical connection G1/2 only) with cable gland *1	E									
	FM Explosionproof / Dust ignition protection (Electrical connection G1/2 is not available.)	F									
	FM Intrinsically safe (ic) and Nonincendive	V									
	FMC Explosionproof / Dust ignition protection (Electrical connection G1/2 is not available.)	A									
	ATEX Intrinsically safe / Dust Ignition Protection	L									
	IECEX Flameproof / Dust ignition protection (Electrical connection G1/2 is not available.)	D									
	IECEX Intrinsically safe / Dust Ignition Protection	T									
	CCC Flameproof / Dust ignition protection (Electrical connection G1/2 is not available.)	N									
	CCC Intrinsically safe / Dust Ignition Protection	R									
	KCs Flameproof (Electrical connection G1/2 is not available.)	K									
	CNS Flameproof (Electrical connection G1/2 is not available.)	S									
	CNS Intrinsically safe / Dust Ignition Protection (Electrical connection G1/2 is not available.)	H									
(2) Connection	Electrical connection	Air piping connection	Mounting thread	Pressure gauge thread							
	G1/2	Rc1/4	M8	Rc1/8	G						
	1/2NPT	1/4NPT	M8	Rc1/8	N						
	M20×1.5	1/4NPT	M8	Rc1/8	M						
(3) Finish	Standard (Baked acrylic)				S						
	Corrosion proof (Baked urethane)				B						
(4) (5) Display	Display with push button					D	X				
Diagnostic	Advanced Diag (with four pressure sensors)							A	X		
(8) (9) Option	None									X	X
	Explosion-proof universal elbow (SUS304 G1/2) 1 piece									A	A
	Explosion-proof universal elbow (SUS304 G1/2) 2 pieces									A	C
	Model RA1B pressure regulator with stainless steel filter (Mounted on Positioner)*2									M	7
	Model RA1B pressure regulator with stainless steel filter (with bracket for separated mount)									M	8
	Model RA1B pressure regulator with stainless steel filter (with bracket for separated mount onto horizontal-installed actuator)									M	9
	Model KZ03 pressure regulator with stainless steel filter (Mounted on Positioner)*2									M	1
	Model KZ03 pressure regulator with stainless steel filter (with bracket for separated mount)									M	2
	Model KZ03 pressure regulator with stainless steel filter (with bracket for separated mount onto horizontal-installed actuator)									M	3
	Extension lever (In case of without mounting bracket)									M	L
	Seal tape prohibited									M	J
	Mounting bracket material SUS316*3									M	6
	Mounting bracket (PSA1,2, PSK1)									Y	S
	Mounting bracket (New model PSA3, 4 (produced after 2000), VA1 to 3 produced after May'83))									Y	Q
	Mounting bracket (PSA6, VA4 to 6(produced after May'83))									Y	L
	Mounting bracket (PSA7)									Y	8
	Mounting bracket (HA1)									Y	A
	Mounting bracket (HA2, HL2)									Y	T
	Mounting bracket (HA3, HL3)									Y	C
	Mounting bracket (HA4, HL4)									Y	N
	Mounting Bracket (VR1)									Y	V
	Mounting Bracket (VR2, 3)									Y	R
	Mounting Bracket (VR3H)									Y	6
	Mounting Bracket (RSA1)									Y	F
	Mounting Bracket (RSA2)									Y	U
	Mounting Bracket (old model PSA3, 4 (those produced before 1999))									Y	Y
	Mounting Bracket (VA1 to 3(produced before Apr'83, former model Motion Connector), 800-1, 2, 3)*4									Y	W
	Mounting Bracket (VA4,5(produced before Apr'83, former model Motion Connector), 800-4, 5)*4									Y	J
Mounting Bracket (VP5, 6)									Y	1	
Mounting Bracket (VP7)									Y	7	
Mounting bracket (DAP560, 1000, 1000X (stroke: 100 mm max.))									Y	4	
Mounting bracket (DAP1500, 1500X (stroke: 100 mm max.))									Y	5	

*1. One set of TIIS Flameproof cable gland shall be attached for model AVP703.

*2. Select model the code "M1" or "M7" only when the direction of drain of the pressure regulator with filter on the control valve is downward(ground).

*3. Material of mounting bracket when you don't select code "M6" is SUS304.

*4. Consult with sales representative in case of no mounting hole on the side of valve yoke.

Individual specifications

Device TAG No. (8 characters)	Be sure to configure the data.
NODE_ADDRESS	0x__ (16hex number)
Input characterization*1	L: Linear EQ%: Equal percentage QO: Quick opening USER: User-defined
Positioner action*2	D: Direct for single acting actuator R: Reverse for single acting actuator W: For double acting actuator
Supply pressure classification	1: $140 \leq P_s \leq 150$ kPa 2: $150 < P_s \leq 300$ kPa 3: $300 < P_s \leq 400$ kPa 4: $400 < P_s \leq 450$ kPa 5: $450 < P_s \leq 700$ kPa
Unit of pressure gauge	A (kPa) B (kgf/cm ²) C (MPa) D (bar) E (psi)
Valve closed position	DOWN, UP
Actuator type	L: Linear R90: Rotary 90° R60: Rotary 60° RS90: Rotary sub 90° RS60: Rotary sub 60°
LCD facing upwards	X: No optional parts A: LCD cover and Pressure gages jointed to elbows B: LCD cover C: Pressure gages jointed to elbows

*1. Refer to following when selecting the input/output characteristics.

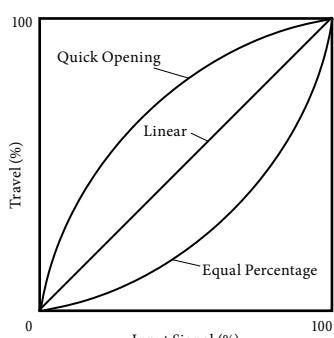


Figure 1. Input characterization

Selection of input characterization

The flow characteristic of a control valve is set by selecting the valve plug characteristic, and the input-output characteristics of the positioner must be specified as linear. However, if the valve plug flow characteristic, which depends on the control valve's shape and structure, does not meet requirements, you can correct the overall flow characteristic of the control valve by specifying "equal percentage" or "quick opening" for the input-output characteristics of the positioner, as shown in Table 2.

Table 2. Control valve flow characteristics correction by the positioner

Characteristic of valve plug	Input characterization of positioner	Overall flow characteristic of control valve
Linear	Quick opening	Quick opening
Linear	EQ%	EQ%
EQ%	Quick opening	Linear

Note: If the valve plug characteristic is "quick opening," the overall flow characteristic of the control valve cannot be linear even if "equal percentage" is set for the positioner's input-output characteristics. (This is because when the valve plug characteristic is "quick opening," the control valve works as an ON/OFF valve and it is difficult to correct its characteristics by changing the setting of the positioner.)

*2. When the power is shut off, select D (Direct for single acting actuator) to make the output air pressure of this device zero, and R (Reverse for single acting actuator) to make the output at the maximum air pressure (supply air pressure). Positioner action differs from actuator and control valve action, so be careful in selecting the positioner's action.

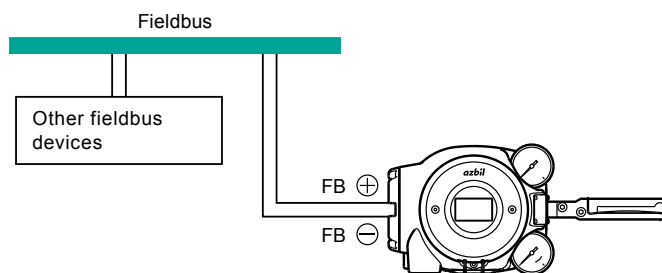
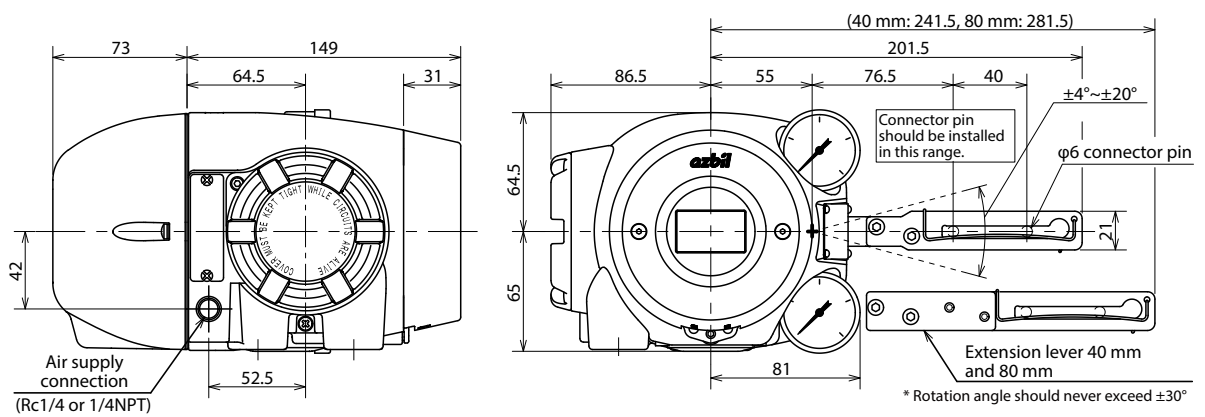
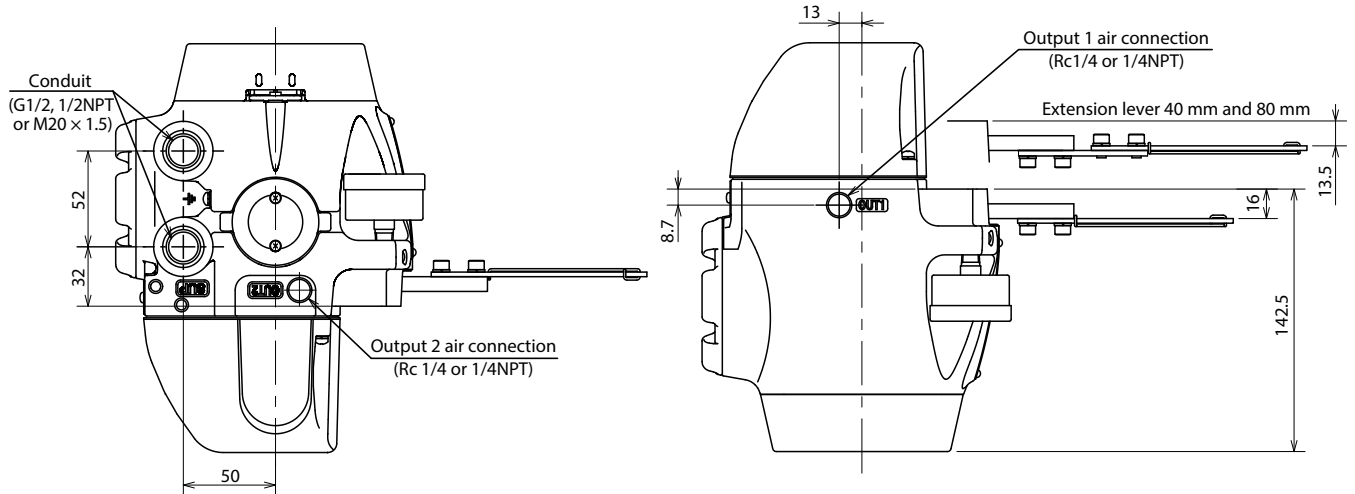


Figure 2. Wiring example of AVP703

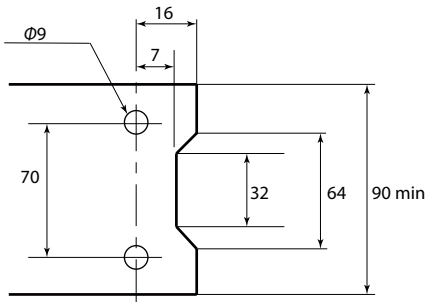
DIMENSIONS

For single acting actuator without regulator

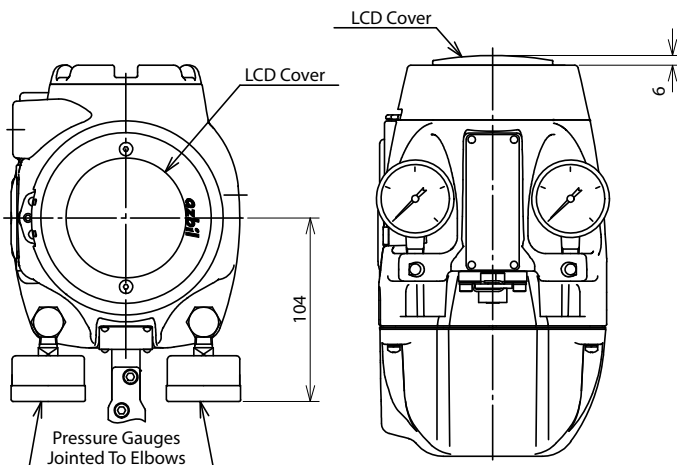
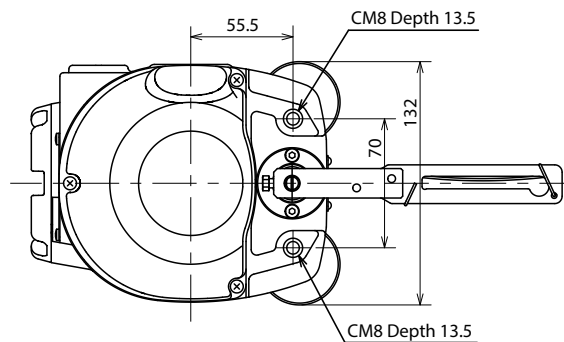
[Unit: mm]



Mounting plate reference dimension



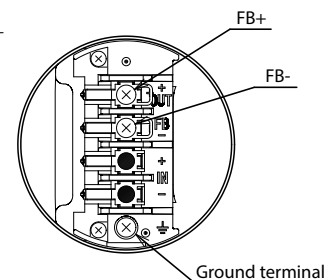
LCD Facing Upwards



Terminal

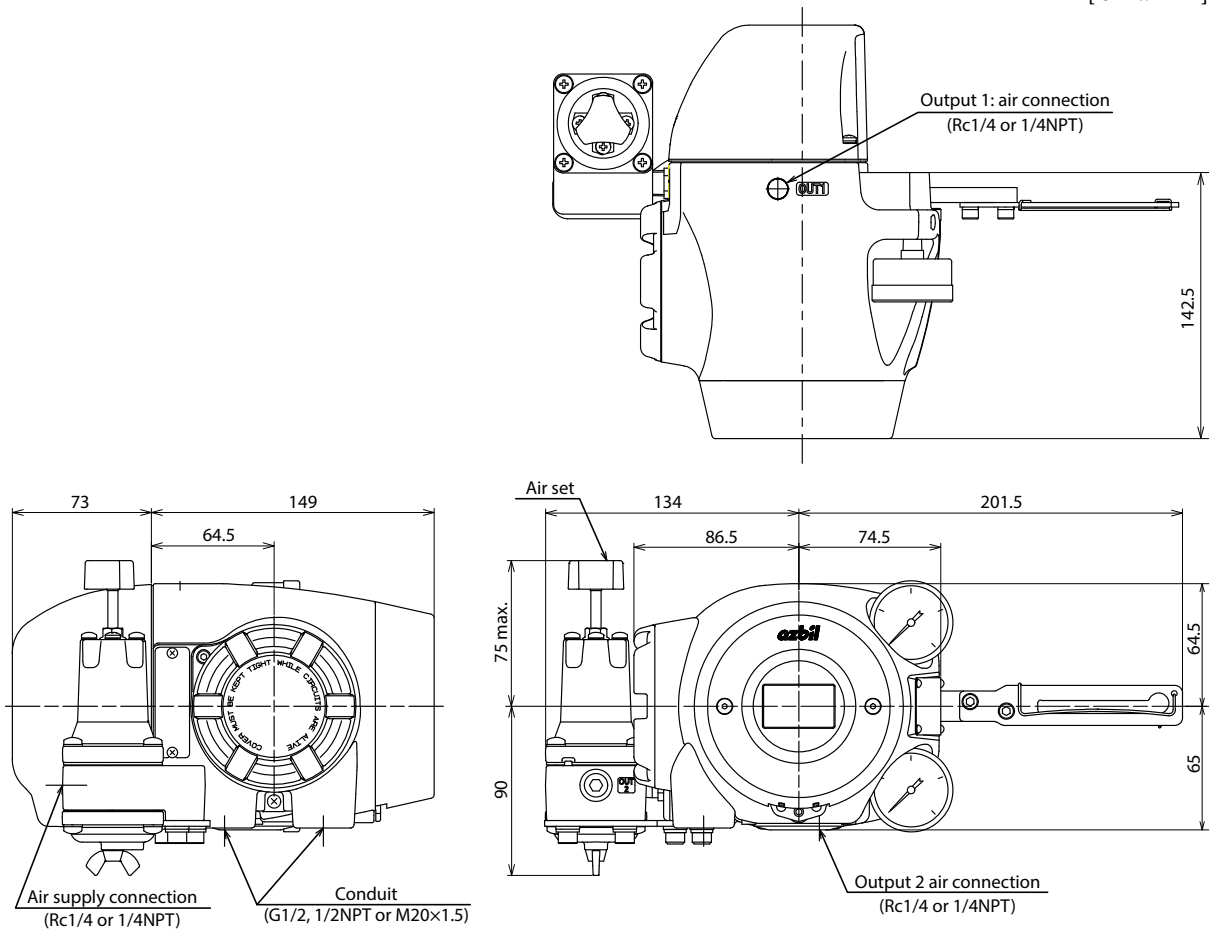
Screw size: M4

AVP703



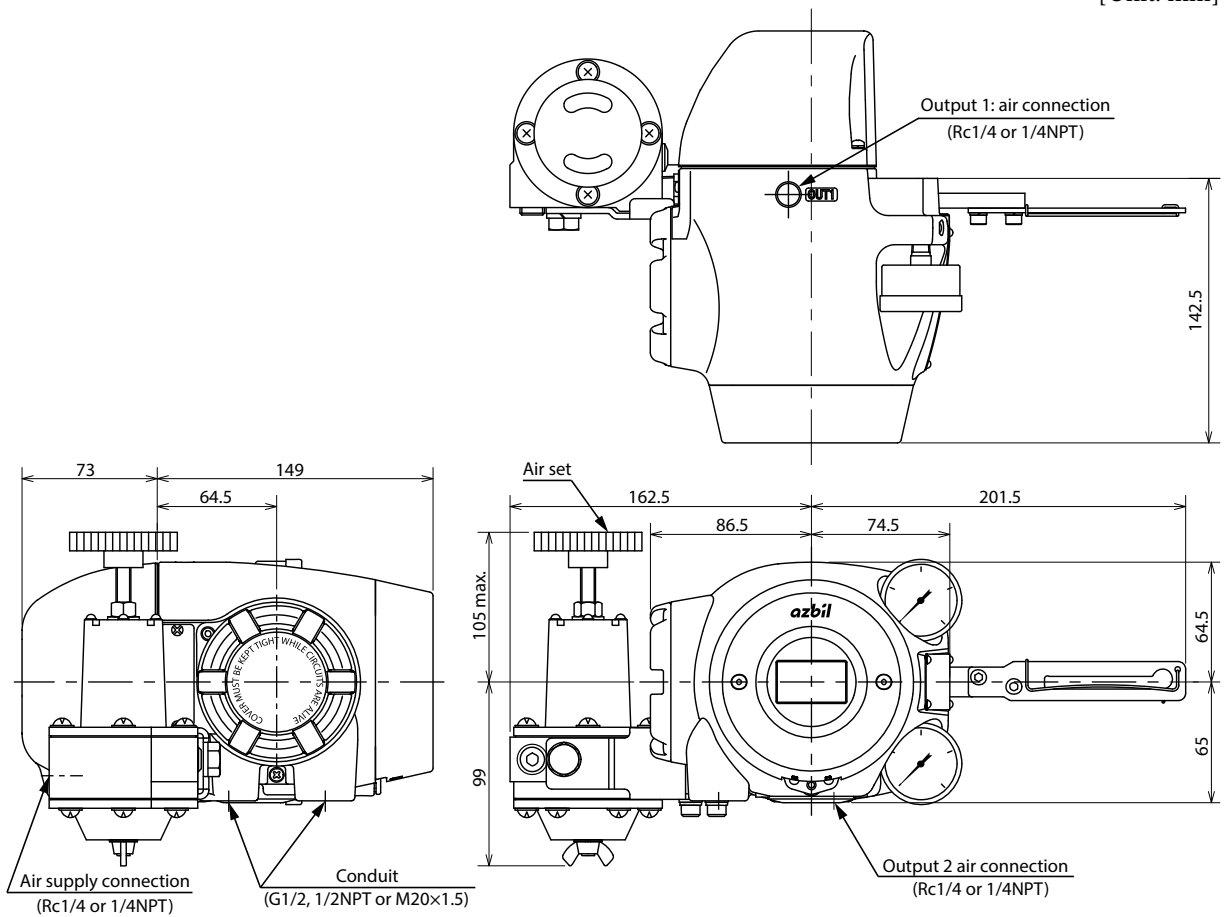
For single acting actuator with RA1B regulator

[Unit: mm]



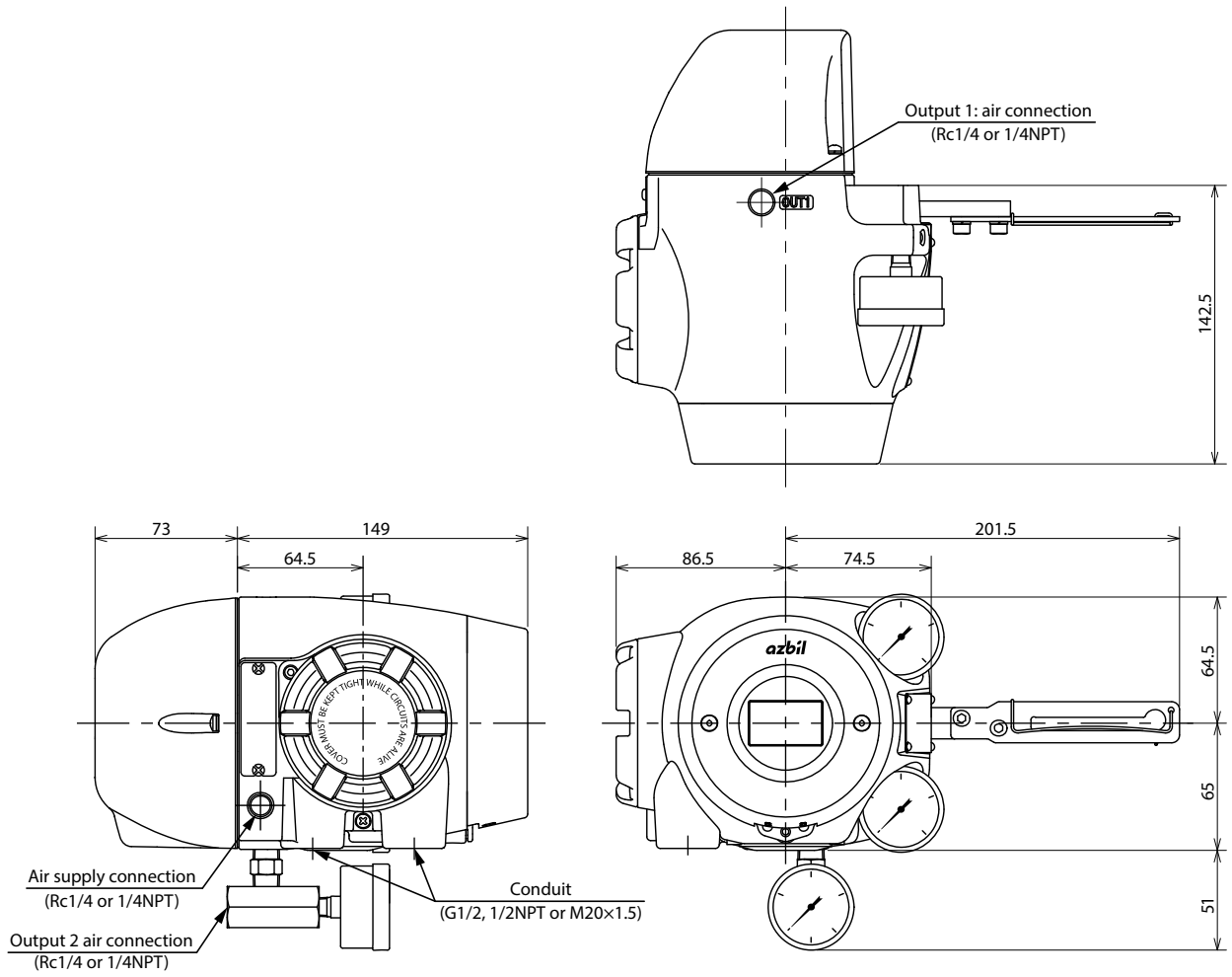
For single acting actuator with KZ03 regulator

[Unit: mm]

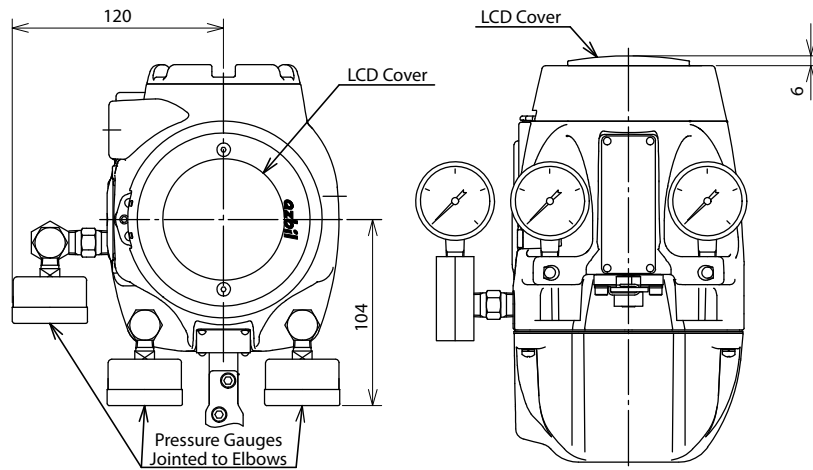


For double acting actuator without regulator

[Unit: mm]

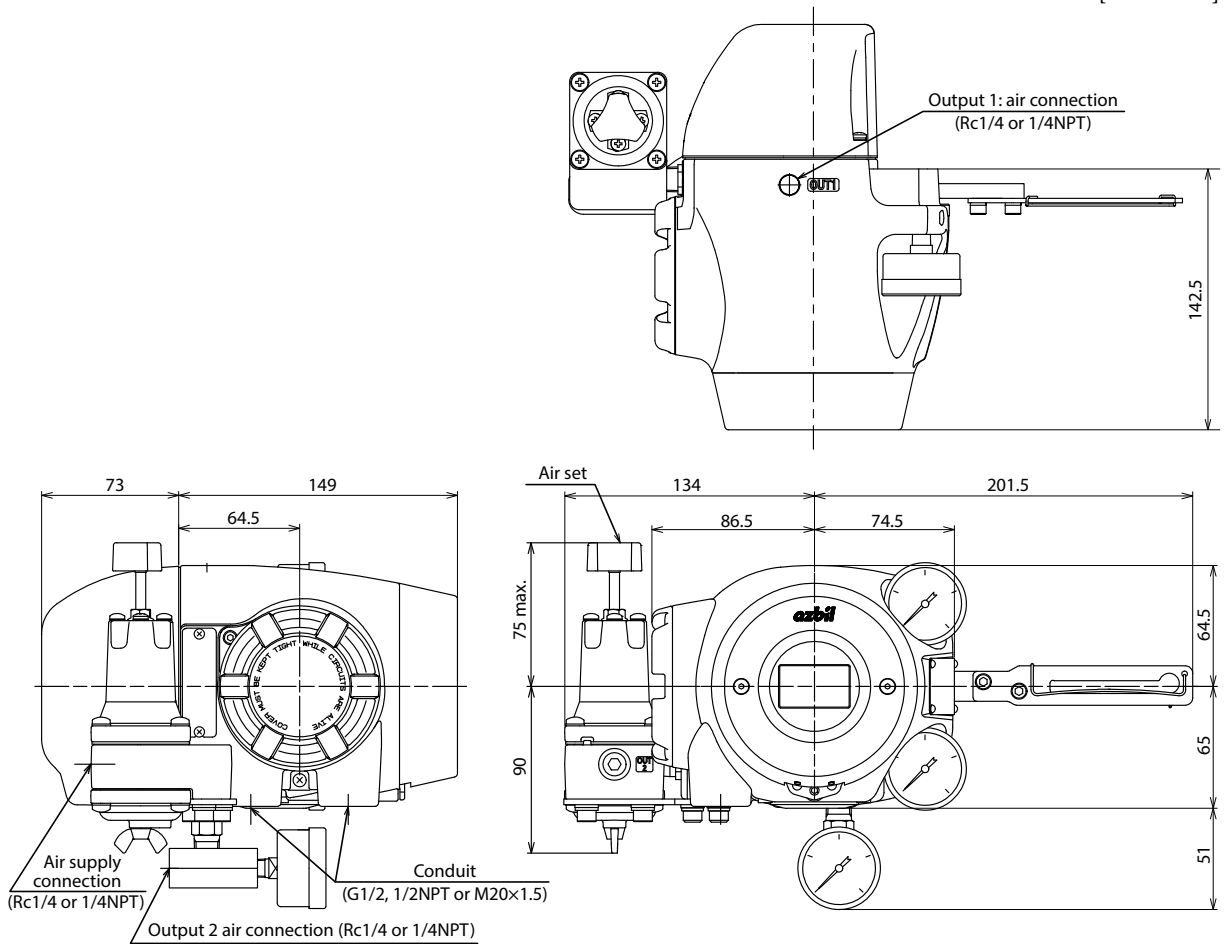


LCD Facing Upwards



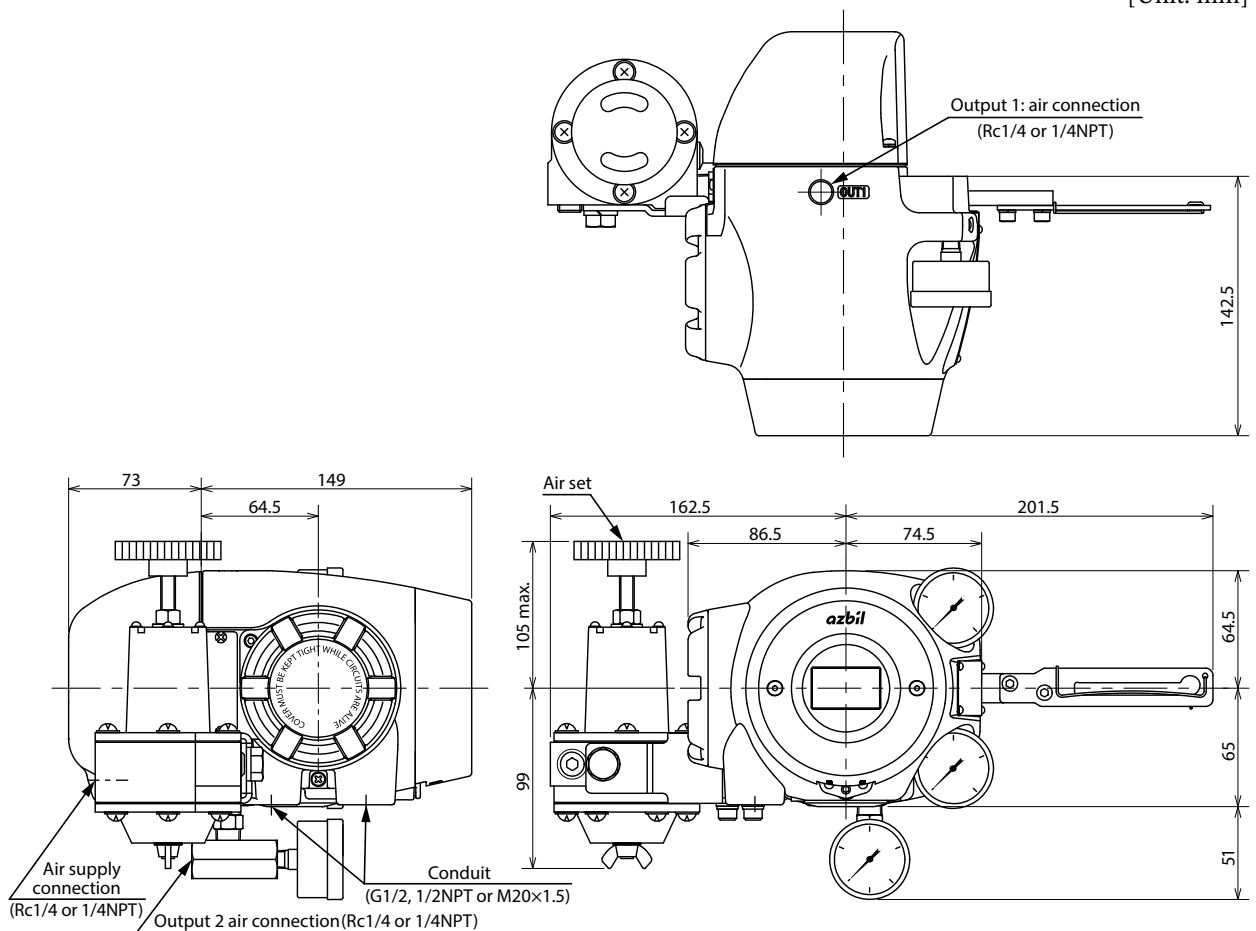
For double acting actuator with RA1B regulator

[Unit: mm]



For double acting actuator with KZ03 regulator

[Unit: mm]



FOUNDATION™ Fieldbus is a trademark of FieldComm Group.

Please read "Terms and Conditions" from the following URL
before ordering and use.

<https://www.azbil.com/products/factory/order.html>

Specifications are subject to change without notice.

The logo for Azbil Corporation, featuring the word "azbil" in a bold, lowercase, sans-serif font.

Azbil Corporation
Advanced Automation Company

1-12-2 Kawana, Fujisawa
Kanagawa 251-8522 Japan
URL: <https://www.azbil.com/>

1st edition: Apr. 2014
16th edition: Jun. 2024

*No part of this publication may be reproduced or duplicated
without the prior written permission of Azbil Corporation.*