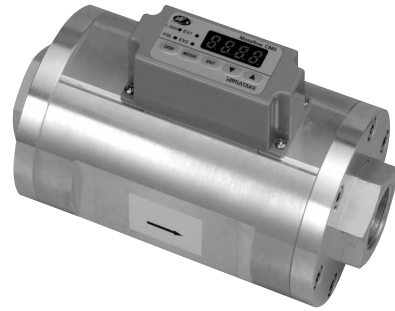


Gas Mass Flow Meter (Aluminum) | CMS1500



The CMS1500 is a gas mass flowmeter that employs our proprietary μ F (Micro Flow) thermal flow rate sensor as the sensing element. Through integration of this ultraminiature mass flow sensor, which is manufactured using micromachining technology, and advanced ultrafine channel design, an unprecedented level of high accuracy and wide measurement range have been achieved at low cost. Boasting both ease of use and high reliability, this flowmeter will set the standard for the future.



Specifications

Measured gas	Air/nitrogen/argon (not suitable for oxygen or flammable gases). Gas must not contain corrosive components (chlorine, sulfur and acid).
Flow rate range	1500 L/min (standard) *Standard* indicates a flow rate converted for conditions of 20 °C and 101.325 kPa (1 atmosphere).
Accuracy*1	$\frac{1}{10}$ to $\frac{1}{4}$ of flow rate range $\pm 5\%$ rdg $\frac{1}{50}$ to $\frac{1}{10} \pm 1\%$ FS of flow rate range
Pressure range	0 to 0.6 MPa
Sampling time	100 ms $\pm 10\%$
Rated power supply voltage	12 to 24 Vdc
Power consumption	100 mA or less
Weight	3000 g

*1. For air or nitrogen.

Model No. configuration

Ex.: CMS1500BARN210000

Basic model No.	Flow rate range	Model	Material	Connection	Gas type	Output	Option 1	Option 2	Option 3	Option 4	Appended No.	Description	
CMS	1500											Gas mass flow meter	
												0 to 1500 L/min (standard)*	
			B										Model with display and left to right flow direction
			R										Model with display and right to left flow direction
				A									Aluminum
						R							Rc 1
							N						Air/nitrogen, argon, carbon dioxide
								2					Switchable among 4 to 20 mA, 0 to 5 Vdc, and 1 to 5 Vdc
									1				With RS-485 communication
										0			None
											0		None
												0	None
										D	Inspection results		
										Y	Traceability certificate		
											0	Product version	

**Standard* indicates a value converted to volumetric flow per minute at 20 °C and 101.325 kPa (1 atmosphere). The maximum flow rate that is measurable by this product varies depending on the type of gas used. When selecting a model, refer also to this table.

Gas type	Flow rate [L/min (standard)]
Air/nitrogen	1500
Argon	1500
Carbon dioxide	900

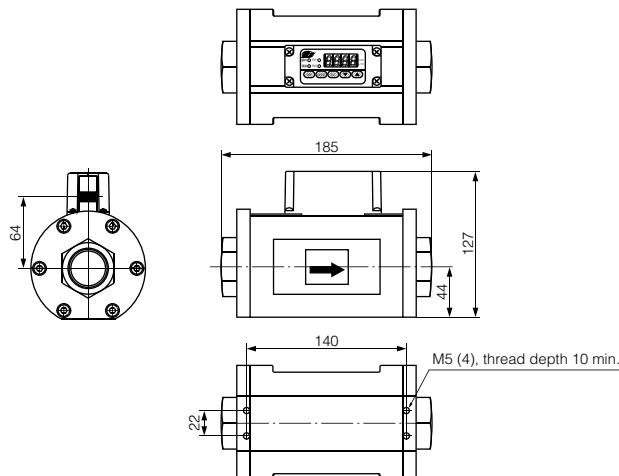
Optional parts (sold separately)

Note: One harness with a dedicated connector is required per CMS unit. Please order it together with the CMS unit.

Name	Model No.	Description	Harness length
Harness with dedicated connector	81446594-007		2 m
	81446594-008	For models with RS-485 communication	5 m

External dimensions

(Unit: mm)



1 DIGITAL CONTROLLERS
2 RECORDERS, INDICATORS
3 CONVERTERS
4 FLAME SAFEGUARD SYSTEM
5 ACTUATORS
6 SENSORS
7 GAS FLOW MEASUREMENT AND CONTROL PRODUCTS