

Visible Light Flame Detector | AFD100A/B

The AFD100A/B Visible Light Flame Detector is a batch operation flame detector that detects visible light from an oil combustion burner flame.

There are two different types for different burner constructions, depending on whether the light is received from the front or side.

Be sure to combine this product with the burner controller appropriate for the AFD100.



C554A compatible replacement adapter

Specifications

Model No.	Light reception direction	Type	Compatible burner controller
AFD100A0700	Front	Top view	R4424 or R4440H series product that supports AFD.
AFD100B0700	Side	Side view	
Illuminance-current characteristics (Conditions: VR = 5 V, at 25 °C)	At an illuminance of 10 lx (color temperature of 2,856 K), 30 μA or more (Measurement conditions: supply power voltage: 5 V, load resistance: 20 kΩ, room temperature/normal humidity)		
Dark characteristics	In total darkness (0 lx), 24 μA or lower (Measurement conditions: supply power voltage: 5 V, load resistance: 20 kΩ, room temperature/normal humidity)		
Dielectric strength	Commercial frequency 500 Vac, applied for 1 minute with no abnormalities (Between lead wires and flange, at room temperature and normal humidity)		
Insulation resistance	With a 500 Vdc megger, 50 MΩ or more (Between lead wires and flange, at room temperature and normal humidity)		
Allowable ambient temperature	-20 to +60 °C		
Storage temperature	-20 to +70 °C		
Allowable ambient humidity	90%RH or lower at 40 °C (without condensation)		
Vibration resistance	Double amplitude: 4.9 m/s ² , 10 to 55 Hz for 2 hours in each in X, Y, and Z directions		
Cable	Heat-resistant flat plastic cable, 0.75 mm ² Black (F-terminal), white (G-terminal)		
Materials	Main unit/flange: Nylon 6 (blue)		
Mounting	Flange		
Weight	Approx. 25 g		

Model No. configuration

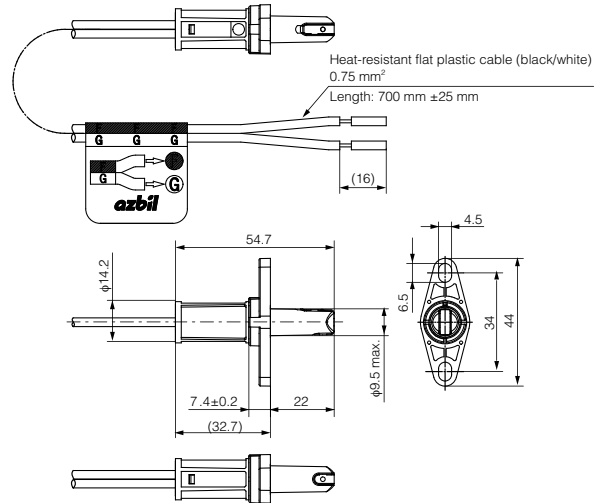
Name	Model No.
Visible light flame detector	AFD100A0700
	AFD100B0700

Optional parts (sold separately)

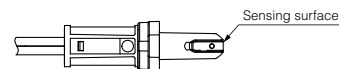
Name	Model No.
C554A1299-1 compatible replacement adapter	81447108-001
C554A06S1-1 compatible replacement adapter	81447108-002

External dimensions

(Unit: mm)



AFD100A0700 (top view type)



AFD100B0700 (side view type)

