

Network Instrumentation Module Supervisor Module

NX-S11/12/21



Network Instrumentation Modules make optimal distributed configuration a reality.

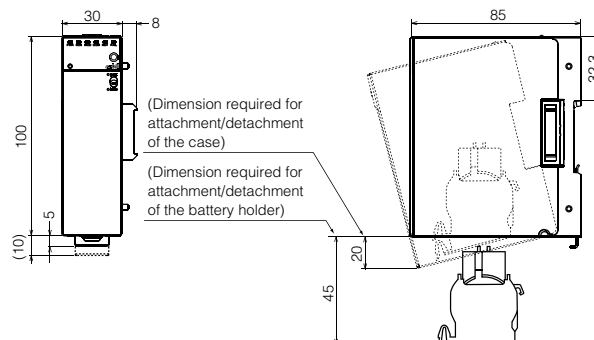
Supervisor modules, in combination with controller modules, allow multi-loop cooperative control. There are three types of control: zone temperature difference control, optimal start-up control, and peak power suppression control.

Specifications

Zone temperature difference control (S11)	Number of connectable modules	8 max.
	Number of control loops	32 max. (number of modules × 4 loops)
	Number of control groups	8 max.
Optimal start-up control (S12)	Main parameters	- Mode: PV average, reference loop specification, maximum deviation PV - Efficiency coefficient - Loop adjustment coefficient
	Number of connectable modules	8 max.
	Number of control loops	32 max. (number of modules × 4 loops)
Peak power suppression control (S21)	Number of control groups	8 max.
	Main parameters	- Mode: automatic, reference loop specification - Step response progress correction amount
	Number of connectable modules	8 max.
Communication specifications (Ethernet)	Number of control loops	32 max. (number of modules × 4 loops)
	Number of control groups	8 max.
	Main parameters	- Output allocation coefficient - Temperature rise capability coefficient - Temperature rise capability offset
Communication specifications (RS-485)	Protocol	MODBUS/TCP, CPL/TCP
	Protocol	MODBUS(RTU/ASCII), CPL
	Signal level	RS-485 – compliant
	Communication/synchronization type	Half-duplex, start/stop synchronization
	Maximum cable length	500 m
	Terminal resistor	External (150 Ω, 0.5 W min.)
General specifications	Transmission speed	115,200 bps max.
	Rated power supply voltage	24 Vdc
	Built-in RTC	±2.2 s/day, with calendar
	Battery life	3 years (without power on)
	Power consumption	4 W or less (under operating conditions)
	Weight	200 g or less
Mounting method	DIN rail	

External dimensions

(Unit: mm)



Model No. configuration

Ex.: NX-S11N0000

Basic model No.	Type	Ring connection	Option 1	Option 2	Option 3	Addition	Description
NX-	S11						Network Instrumentation Module
							Supervisor module control of temperature difference between zones
							Supervisor module optimal start-up control
	S12						Supervisor module peak power suppression control
	S21	N					Non-ring connection
		R					Ring connection
			0				None
				00			None
					0		None
						0	None
						D	Inspection certificate
						T	Tropicalization treatment
						K	Anti-sulfide treatment
						B	Tropicalization treatment + inspection certificate
						L	Anti-sulfide treatment + inspection certificate

Optional parts (sold separately)

Engineering tool

Name	Model No.
Smart Loader Package (with dedicated cable)	SLP-NX-J70
Smart Loader Package (without dedicated cable)	SLP-NX-J71

Parts

Name	Model No.
Side connector cover (for female connector, including 10 pieces)	80700225-010
Side connector cover (for male connector, including 10 pieces)	80700224-010

1

DIGITAL CONTROLLERS

2

RECORDERS, INDICATORS

3

CONVERTERS

4

FLAME SAFEGUARD SYSTEM

5

ACTUATORS

6

SENSORS

7

GAS FLOW MEASUREMENT AND CONTROL PRODUCTS